

TAC Forta™ Globe Valve Actuators

The next generation in flexibility, speed and performance



TAC Forta™ A New Name for "Breakthrough!"

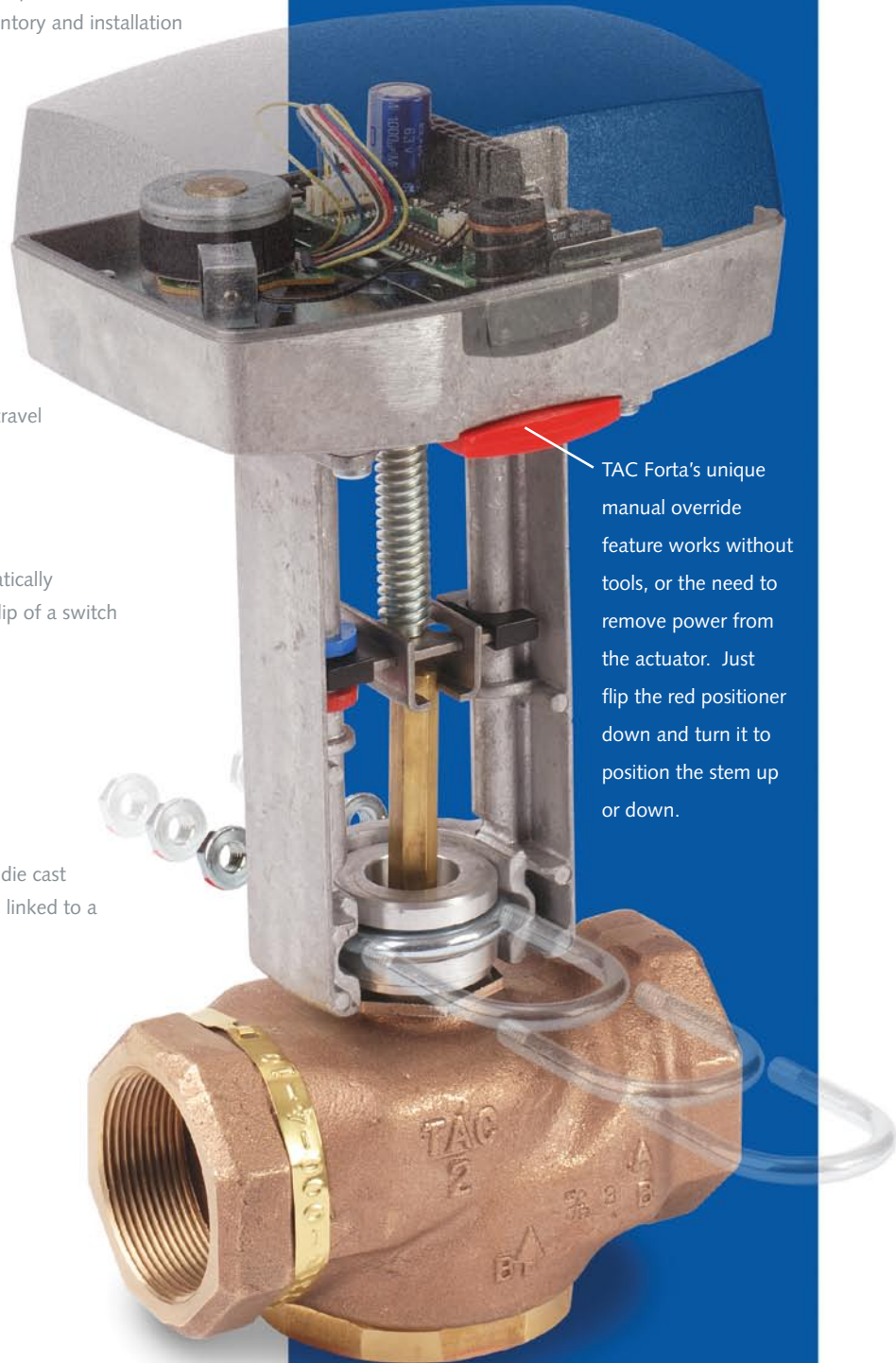
Flexible Inputs: Only TAC Forta can handle every standard proportional and floating control input signal with just the flip of a switch. No special tools, or the additional plug-in printed circuit board usually required to handle both floating and proportional input signals. With TAC Forta, inventory and installation have never been easier.

Optimized Performance: Three models deliver a full range of 90 lbf to 337 lbf linear force for 1/2" to 6" globe valves. 'ONE TOUCH' stroke calibration effortlessly calibrates the actuator to any desired stem stroke length between 3/8" to 2". TAC Forta's automatic input scaling allows it to quickly learn the valve's travel by itself, and scale its input signal to match.

Reversible Control: TAC Forta automatically recognizes "stem up" or "stem down" valves with just the flip of a switch to speed and simplify the configuration process.

Tough Construction: Simple, robust, die cast aluminum construction allows TAC Forta to be mounted and linked to a valve in seconds with just a U clamp.

Adaptable: Designed for any environment; chilled, hot water or steam applications; with UL, CUL and plenum rated enclosures; TAC Forta is simply the most versatile actuator in its class.



TAC Forta's unique manual override feature works without tools, or the need to remove power from the actuator. Just flip the red positioner down and turn it to position the stem up or down.

TAC Forta™

Non Spring Return Globe Actuators Fast, flexible, reliable, precise control

THE MOST POPULAR HVAC GLOBE VALVE ACTUATORS

First introduced in 1996, and then further refined in 2003, TAC Forta™ globe valve actuators have now taken yet another leap forward, this time into the North American marketplace. Now, for hundreds of potential applications, wherever fast, highly accurate and extremely flexible globe valve control performance is required, HVAC contractors and systems engineers have a powerful new solution to reduce operating costs and minimize installation and maintenance time.

TAC Forta actuators are the perfect complement to the renowned performance you've already come to expect from your VB-7000, VB-8000 and VB-9000 TAC globe valves.

While TAC Forta is an easy choice for the latest TAC globe valves, and can mount directly in seconds, they're also easily compatible with many popular Johnson Controls, Honeywell, Siemens and Robertshaw globe valves, with the use of a simple adapter kit.

TAC Forta...Arriving just in time.

TAC Forta Non-Spring Return Globe Valve Actuators are designed to mount on our complete line of 2- and 3-way globe valves as well as our major competitors' globe valves. TAC Forta's tested and proven advanced technology design makes it one of the industry's best built, most application-flexible actuator. TAC Forta actuators are designed to work with 2- and 3-way globe valves for chilled water, hot water, and steam HVAC applications.

FEATURES

- Built in Universal Control (no tools required); all models can be easily field-configured
- Floating control, controlled by SPDT center-off or two Triacs
- Proportional 0-10, 2-10 vdc or 4-20 ma
- Sequence configuration 0-5/5-10 or 2-6/6-10 vdc
- Feedback 2-10 vdc
- Three linear force TAC Forta actuator models to cover our complete ½" through 6" globe valve offering
- 24 vac powered
- Die-Cast housing with UL Plenum rated plastic cover
- NEMA 1 and 2 options
- Manual override
- Electronic flow curve selection
- Easy 'One Touch' input signal/stroke calibration
- Optional auxiliary switches

SPECIFICATIONS

Part Number	Power	Input Signal		Feedback	Force	Auxiliary Switch
M400A M400A-S2	24 vac 50-60 Hz	Floating	Proportional 0-10, 2-10 vdc, or 4-20 ma	2-10 vdc	90 lbf	None 2-SPDT
M800A M800A-S2					180 lbf	None 2-SPDT
M1500A M1500A-S2					337 lbf	None 2-SPDT

- **Stroke** >3/8" to 2"
- **Stroke Timing**
Floating 60 or 300 sec selectable
Proportional 15 sec @ ½" stroke
- **Position Feedback** 2-10 vdc
- **Power Supply Type** Half Wave
- **Motor** Brushless DC
- **Enclosure** NEMA 1 or 2
- **Sound Power Level Max** 32 dba
- **Agency Listings** UL873, cULus, C-tick

The Perfect Combination of 'Brains'...

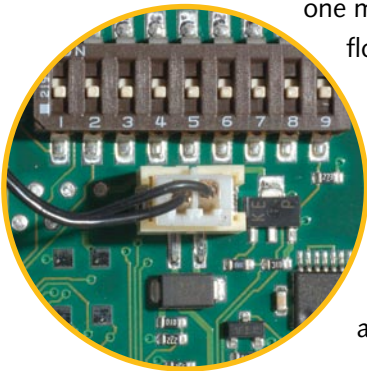
Now one model does it all! 'One Touch' switching makes it as easy as 1, 2, 3...

1 Sets up automatically.

Smart move... Setting up for different globe valve stroke lengths used to be a tedious and time-consuming process. Not anymore. TAC Forta's 'One Touch' automatic input scaling allows the actuator to actually learn the valve stem's travel and scale its input signal to match. It can easily accommodate stroke lengths of between 3/8" and 2", and globe valve sizes from 1/2" to 6" — and learn any stroke in seconds with just the flip of a switch.

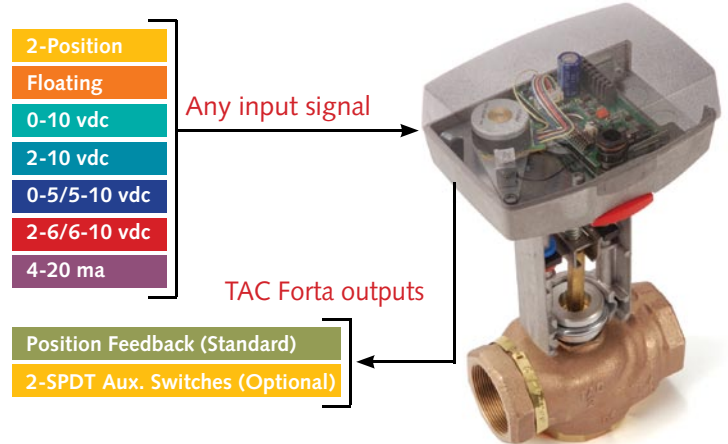
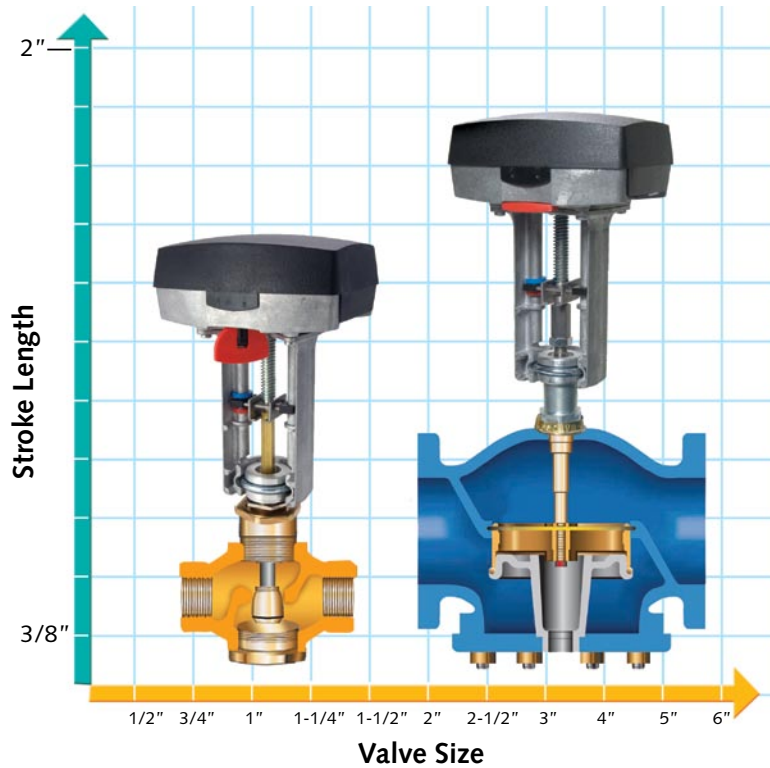
2 'Synchs' to any input signal.

Brilliant... The only thing easier than setting up TAC Forta is configuring it. That's because one model handles any input signal. Need floating control instead of a 0-10 vdc input signal? No problem; going from proportional to floating is as easy as flipping Switch #2. In fact, TAC Forta can be configured to any common input signal in just seconds, making product selection and inventory as easy as point... and switch.

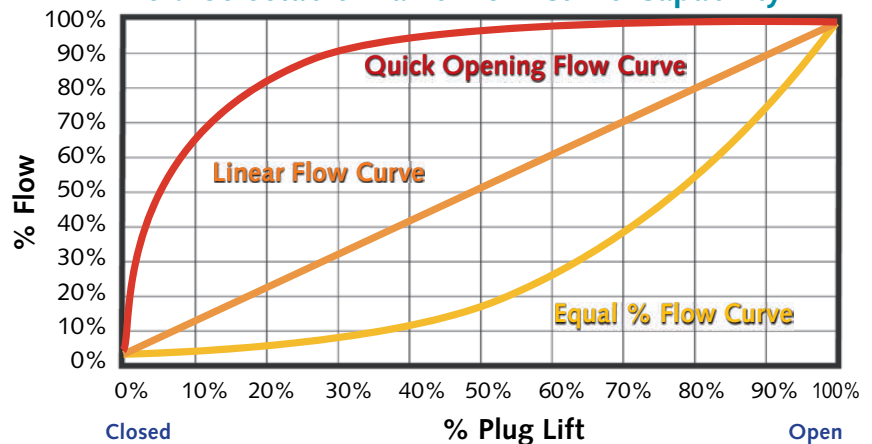


3 Optimizes valve performance.

Intelligent... Not all applications are created equal. That's why the TAC Forta actuators are designed to help optimize valve performance for every application. TAC Forta's field-selectable valve flow curve capability enables you to convert an equal percentage curve to be more linear — or convert a linear flow curve to be quick opening — with just the flip of a switch. The bottom line? TAC Forta always gives you the most energy-saving, most efficient operation.



Field-Selectable Valve Flow Curve Capability



... and 'Brawn!'

Easily assembled with VB-7000 or VB-8000/9000 Series Globe Valves

These 2- and 3-way threaded and flanged globe valves from 1/2" to 6" offer a wide selection of end connections, stem up or stem down closed, trim options and bronze or cast iron body styles. Even better, all valve bodies are available for easy field installation with TAC Forta actuators. Popular combinations are also available as factory TAC Forta valve assemblies.

VB-7000 Selection

Valve Size	M400A (90lbf)	M800A (180lbf)	M1500A (337lbf)
1/2"	✓		
3/4"	✓	✓	
1"	✓	✓	
1-1/4"	✓	✓	
1-1/2"	✓	✓	✓
2"	✓	✓	✓



VB-8000/9000 Selection

Valve Size	M400A (90lbf)	M800A (180lbf)	M1500A (337lbf)
2-1/2"		✓*	✓
3"		✓*	✓
4"		✓*	✓
5"			✓
6"			✓

* VB-9313 only

Copyright © 2008, TAC
All brand names, trademarks and registered trademarks are
the property of their respective owners. Information contained
within this document is subject to change without notice.
All rights reserved.

F-27524 04-08



www.tac.com

1354 Clifford Avenue
Loves Park, IL 61111
815-637-3000

