

DR 4500A Truline Circular Chart Recorder With or Without Control

Configuration Prompts

Getting Started

Apply power—


- Recorder runs four diagnostic tests:
 - Lower display sequentially shows—
 - "RAM" (RAM test)
 - "CFG" (configuration test)
 - "CAL" (calibration test)
 - Upper display shows "PASSED" or "FAILED" for each test.
- All individual segments of displays light.
- Recorder displays "TEST DONE."
- Recorder goes into operating mode.

Putting Recorder into Configuration Mode

Press  key—

- Upper display shows "SETUP."
- Lower display shows first group title in prompt hierarchy.

Selecting Group Prompts

Press  key successively* to sequentially display group title prompts.
Stop at desired group prompt.

*Hold in key to scroll group prompts.

Configuring Group Parameters


1. Press  key successively* to sequentially display function prompts of group in lower display. Stop at desired function prompt.

- Upper display shows current value or selection of function.

*Hold in key to scroll function prompts.

2. Press  or  keys** to change value or selection of function.

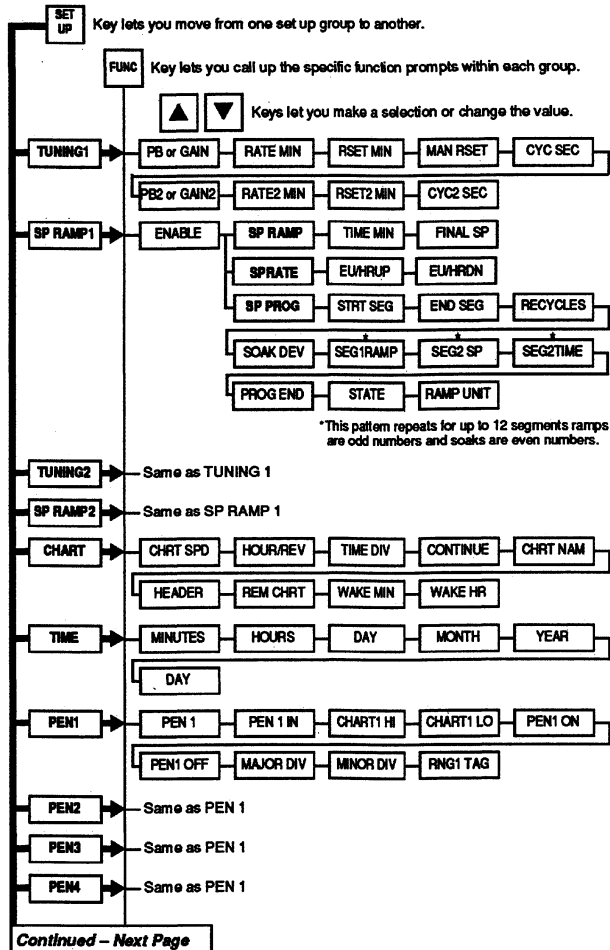
**To change value more quickly, hold in one key and press the other.
Adjustment moves one digit to the left with each press.

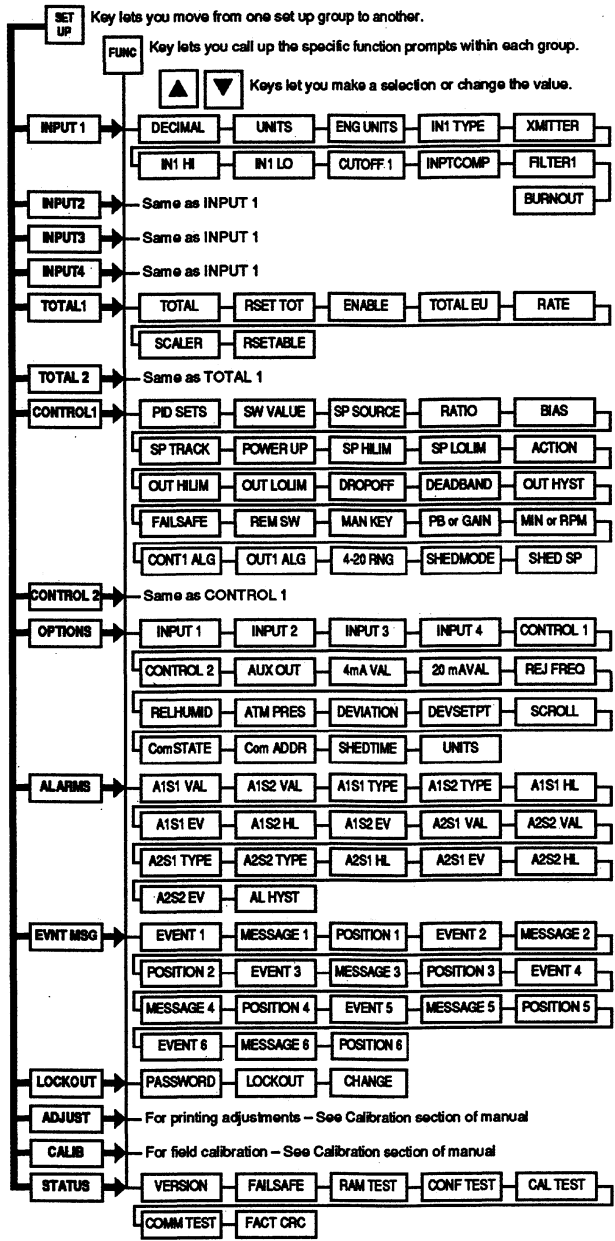
3. Press  key if you want to recall original value or selection.

4. Press  or  keys to enter new value or selection of function.

Returning Recorder to Operating Mode

Press  key to exit configuration mode.





Group Prompt	SET UP	Function Prompt	FUNC	Selection or Value	▲ ▼
TUNING 1		PROP BAND or GAIN		0.1 to 1000	
		RATE MIN		0.00 to 10.0 minutes	
		RSET MIN or RSET RPM		0.02 to 50.00	
		MAN RSET		-100 to +100 (%OUTPUT)	
		CYC SEC		1 to 120 seconds	
		PROP BD2 or GAIN 2		0.1 to 1000	
		RATE2MIN		0.00 to 10.00 minutes	
		RSET2MIN or RSET2RPM		0.02 to 50.00	
		CYC2 SEC		1 to 120 seconds	
SP RAMP 1		SPRAMP		ENABLE DISABL	
		TIME MIN		0 to 255 minutes	
		FINAL SP		0 to 100% of span	
		SPRATE		DISABL ENABLE	
		EU/HRUP		0 to 9999 in units per hour	
		EU/HRDN		0 to 9999 in units per hour	
		SP PROG		ENABLE DISABL	
		STRT SEG		1 to 11	
		END SEG		2 to 12	
		RECYCLES		0 to 99	
		SOAK DEV		0.0 to 99.0	
		SEG1RAMP*		0.00 to 99.59	
		SEG2SP*		0.0 to 500	
		SEG2TIME*		0.00 to 99.59	
		PROG END		LAST SP F SAFE	
		STATE		DISABL HOLD	
		RECOVERY		ENABLE DISABL	
	RAMPUNIT		TIME (hrs : min) EU/MIN EU/HR		
TUNING 2		Same as TUNING 1			
SP RAMP 2		Same as SP RAMP 1			

* Repeat for 12 segments

Group Prompt	SET UP Function Prompt	FUNC Selection or Value	▲ ▼	
CHART	CHRT SPD	X HR (selected) 8 HR 12 HR 24 HR 7 DAYS		
	HOUR/REV	6 to 744		
	TIME DIV	8 to 24		
	CONTINUE	YES NO		
	CHRT NAM	XXXXXX (X = 0 to 9, A to Z, +, -, /, or blank)		
	HEADER	YES NO		
	REM CHART	NONE EXTSW1 EXTSW2 ALARM1 ALARM2 TIME SHED		
	WAKE MIN	0 to 59		
	WAKE HR	0 to 23		
	WAKE DAY	0 to 31		
	WAKE MON	0 to 12		
	TIME	MINUTES	1 to 59	
		HOURS	1 to 23	
		DAY	1 to 31	
MONTH		1 to 12		
YEAR		0 to 99		
DAY		MONDAY TUESDAY WEDDAY THRDAY FRIDAY SATDAY SUNDAY		
PEN 1		PEN 1	ENABLE DISABLE	
	PEN 1 IN	INPUT 1 RH OUTPUT 1 OUTPUT 2 SETPNT 1 SETPNT 2 DGTL 1 DGTL 2		
	CHART1HI	-999.9 to 999		
	CHART1LO	-999.9 to 999		
	PEN 1 ON	0 to 100% of chart		
	PEN 1 OFF	0 to 100% of chart		
	MAJORDIV	2 to 10		
	MINORDIV	2 to 10		
	RNG1 TAG	XXXXX (X = 0 to 9, A to Z, +, -, /, or blank)		

Group Prompt	SET UP	Function Prompt	FUNC	Selection or Value	▲ ▼
PEN 2		(Same as for PEN 1, but for Input 2.)			
PEN 3		(Same as for PEN 1, but for Input 3.)			
PEN 4		(Same as for PEN 1, but for Input 4.)			
INPUT 1		DECIMAL		None —XXXX 1 — XXX.X 2 — XX.CXX 3 — X.XXX	
		UNITS		DEG F DEG C EU (Engineering Units)	
		ENG UNIT		XXXXX (X = 0 to 9, A to Z, +, -, /, or blank)	
IN1 TYPE				B TC E TCH (E T/C-high) E TCL (E T/C-low) J TCH (J T/C-high) J TCL (J T/C-low) K TCH (K T/C-high) K TCL (K T/C-low) NNMTC (NiNiMoIy) NIC TC (Nicrosil-Nisil) R TC S TC T TCH (T T/C-high) T TCL (T T/C-low) W TCH (W T/C-high) W TCL (W T/C-low) 100PT (100 ohm platinum bulb) 500PT (500 ohm platinum bulb) 100RH (100 ohm RTD-low) 4-20 mA 0 to 10 mV 10-50m (10 to 50 mV) 0-5V 0-10V RADIAM	
		XMITTER		B TC E TCH (E T/C-high) E TCL (E T/C-low) J TCH (J T/C-high) J TCL (J T/C-low) K TCH (K T/C-high) K TCL (K T/C-low) NNMTC (NiNiMoIy) NIC TC (Nicrosil-Nisil) R TC S TC T TCH (T T/C-high) T TCL (T T/C-low) W TCH (W T/C-high) W TCL (W T/C-low) 100PT (100 ohm platinum bulb) 500PT (500 ohm platinum bulb) 100RH (100 ohm RTD-low) LINEAR SQROOT (Square Root)	

Group Prompt	SET UP	Function Prompt	FUNC	Selection or Value	▲ ▼
INPUT 1 (continued)		IN1 HI		-999.9 to 9999	
		IN1 LO		-999.9 to 9999	
		CUTOFF 1		0 to 100% of input range	
		INPTCOMP		-999.9 to 9999	
		FILTER 1		0 to 120 (seconds)	
		BURNOUT		NONE UP (Upscale) DOWN (Downscale)	
INPUT 2		(Same as for INPUT 1.)			
INPUT 3		(Same as for INPUT 1.)			
INPUT 4		(Same as for INPUT 1.)			
TOTAL 1		TOTAL		En XXX (En = Exponent, base 10; XXX = Total EU)	
		RSET TOT		NO YES	
		TOTAL 1		ENABLE DISABLE	
		TOTAL EU		XXX (X = 0 to 9, A to Z, +, -, /, or blank)	
		RATE		SECOND MINUTE HOUR DAY MILLION/DAY	
		SCALER		1 10 100 1000 10000 100000 1E6 (=1 x 10 to sixth power)	
		RSETABLE		NO LOCAL EXTSW1 EXTSW2	
	TOTAL 2		(Same as for TOTAL 1.)		

Group Prompt	SET UP	Function Prompt	FUNC	Selection or Value	▲	▼	
CONTROL 1		PID SETS		1 ONLY = One set 2KEYBD = Two sets, keyboard selectable 2PVSW = Two sets, PV automatic switchover 2SPSW = Two sets, SP automatic switchover			
		SW VALUE		Value in Engineering Units			
		SP SOURCE		1LOCAL = Local set point REMOTE = Remote set point 2LOCAL = Two local set points			
		RATIO		-20.00 to 20.00			
		BIAS		-999 to 9999			
		SP TRACK		NONE = No tracking RSP = Local set point tracks remote set point			
		POWER UP		MANUAL A LSP A RSP A MSP A MLSP			
		SP HILIM		0 to 100% of span in Engineering Units			
		SP LOLIM		0 to 100% of span in Engineering Units			
		ACTION		DIRECT REVRSE			
		OUTHILIM		-5.0 to 105% of output			
		OUTLOLIM		-5.0 to 105% of output			
		DROPOFF		-5.0 to +105.0% of output			
		DEADBAND		-5.0 to 25.0%			
		OUT HYST		0.0 to 5.0% of PV span			
		FAILSAFE		Within the range of output limits			
		REM SW		NONE TO MAN TO LSP TO SP2 TO DIR RN/HLD			
		MAN KEY		ENABLE DISABL			
		PB or GAIN		PB PCT = Proportional band in percent GAIN			
		MIN or RPM		MIN = Minutes/repeat RPM = Repeats/minute			
		CONTROL1ALG		PIDA PIDB PD+MR ON-OFF			
		OUTPUT1ALG		TIME CURRENT POSITN TIME D CUR TI TI CUR			
		4-20 RNG		50 PCT 100 PCT			
		SHEDMODE		LAST = same mode as before shed TO MAN = To manual mode, bumpless output FSAFE = To manual mode, failsafe output			
		SHED SP		TO LSP = To local set point TO CSP = To last computer set point			
	CONTROL 2		(Same as CONTROL 1.)				

Group Prompt	SET UP	Function Prompt	FUNC	Selection or Value	▲	▼	
OPTIONS		INPUT 1 (2, 3, 4)		DISABL ENABLE			
		CONTROL 1 (2)		DISABL ENABLE			
		REJ FREQ		60 or 50 Hz			
		AUX OUT		IN1 IN2 PV1 DEV1 OUT1 SP1 PV2 DEV2 OUT2 SP2 IN3 IN4			
		4 mA Val		Lowscale value to represent 4mA			
		20 mA Val		Highscale value to represent 20mA			
		REL HUMID		YES NO			
		ATM. PRES		590 to 800			
		DEVIATION		NONE SET PNT CHAN 1			
		DEV SET PT		-999.0 to 999			
		SCROLL		NONE 1 sec 2 sec 3 sec			
		ComSTATE		ENABLE DISABL			
		Com ADDR		0 to 99			
		SHEDTIME		0 to 255 (sample periods)			
		UNITS		PERCNT = Percent ENG = Engineering Units			
	ALARMS		A1S1 VAL		0.0 to 9999		
			A1S2 VAL		0.0 to 9999		
			A1S1TYPE		NONE IN1 IN2 IN3 IN4 RH DEV OUT DEV2 OUT2 SHED EV1 ON EV1 OFF EV2 ON EV2 OFF		
			A1S2TYPE		(same as for A1S1TYPE.)		

Group Prompt	BET UP	Function Prompt	FUNC	Selection or Value	▲	▼	
ALARMS (continued)		A1S1 H L		HI (High alarm) LO (Low alarm)			
		A1S1 EV		BEGIN END			
		A1S2 H L		HI (High alarm) LO (Low alarm)			
		A1S2 EV		BEGIN END			
		A2S1 VAL		0.0 to 9999			
		A2S2 VAL		0.0 to 9999			
		A2S1TYPE		(same as for A1S1TYPE.)			
		A2S2TYPE		(same as for A1S1TYPE.)			
		A2S1 H L		HI (High alarm) LO (Low alarm)			
		A2S1 EV		BEGIN END			
		A2S2 H L		HI (High alarm) LO (Low alarm)			
		A2S2 EV		BEGIN END			
		ALHYST		0.0 to 100.0 (% of span)			
	EVNT MSG		Event 1*		NONE EXTSW1 EXTSW2 ALARM 1 ALARM 2		
			MESSAGE 1*		XXXXXX (X = 0 to 9, A to Z, +, -, /, or blank)		
		POSITION 1*		0 to 100% of chart			
LOCKOUT		PASSWORD		Up to 4 characters			
		LOCKOUT		NONE CALIB +CONF MAX			
		CHANGE		Used if changing password			
CALIB		Used for field calibration					
ADJUST		Used for printing adjustments					
STATUS		VERSION		(Read-only; software version.)			
		FAILSAFE		(YES or NO) Read only			
		RAM TEST		(Read-only; PASS or FAIL)			
		CONFTEST					
		CAL TEST **COMM TEST FACT CRC					

* Repeat for 6 messages
** Communications only

Honeywell

Industrial Automation and Control
Honeywell Inc.
1100 Virginia Drive
Fort Washington, PA 19034

Helping You Control Your World