



Introducing a Cost Effective Fan Coil Unit Thermostat Retrofit Solution

For the commercial and hospitality markets

Traditionally, upgrading controls for an existing fan coil unit controlled by a line-voltage thermostat was considered as an expensive option with poor return on investment. Extra components to upgrade, such as relays, transformers, controllers, sensors and network wiring, caused proposals to be quickly dismissed leaving the fan coil units to be controlled by the stand-alone thermostats with no capacity for energy optimization such as what be accomplished when using central scheduling, set point limitations, advanced occupancy routines and other functions offered by central automation systems.

Now, a new cost effective solution is available for upgrading line-voltage fan coil unit thermostats! The new Viconics fan coil unit solution requires installation of only two components: The VTR7300 terminal equipment controller and the VC3000 relay pack, which allows reuse of existing line-voltage wiring between the fan coil unit and temperature controller to be reused thereby reducing overall costs, labor and installation time for both retrofit and new construction control projects.

The VC3000 relay pack features an onboard universal voltage power supply and line-voltage relays which directly drives fractional horsepower fan motors and valves. This eliminates the need to install and wire costly pilot relays and transformers. The VTR7300 wall mounted controller features a digital display and built-in commissioning and configuration utility, temperature sensor and optional humidity and passive infra red occupancy sensor. No previous building automation training is required for the easy installation and commissioning process, which can be completed in about fifteen minutes, reducing overall delivered and providing increased savings.

The VTR7300 terminal equipment fan coil unit controllers are available as stand-alone, Network Ready, BACnet® MS/TP, Lontalk® or wireless ZigBee® networked models. The stand-alone Network Ready models can be easily retrofitted on-site with our network communication modules for BACnet® MS/TP, Lontalk®, or wireless ZigBee® protocols. The wireless ZigBee® communication adapter allows for data exchange and connectivity into the Niagara AX™ software framework and development environment. The Viconics stand-alone network-ready controllers allow for easy expandability which ensures the possibility for future system upgrades.

VTR7300 Series Fan Coil Terminal Equipment Controller



VC3000 Line-voltage Switching Relay Pack



www.viconics.com

Product Highlights:

VTR7300 Series Fan Coil Terminal Equipment Controllers includes:

- Suitable for commercial and hospitality markets and systems
- Available as a stand-alone unit with Network Ready functionality
- Available with ZigBee® wireless mesh network, BACnet® MS-TP or Lontalk® communication module
- Humidity sensor with on-board dehumidification strategy (Model dependent)
- Available with optional or factory installed passive infra red occupancy sensor cover
- Advanced occupancy functions for commercial and lodging applications
- Available with optional wireless door and window switches (compatible with wireless communicating models only)
- Configurable fan sequence operation
- On board configuration interface utility

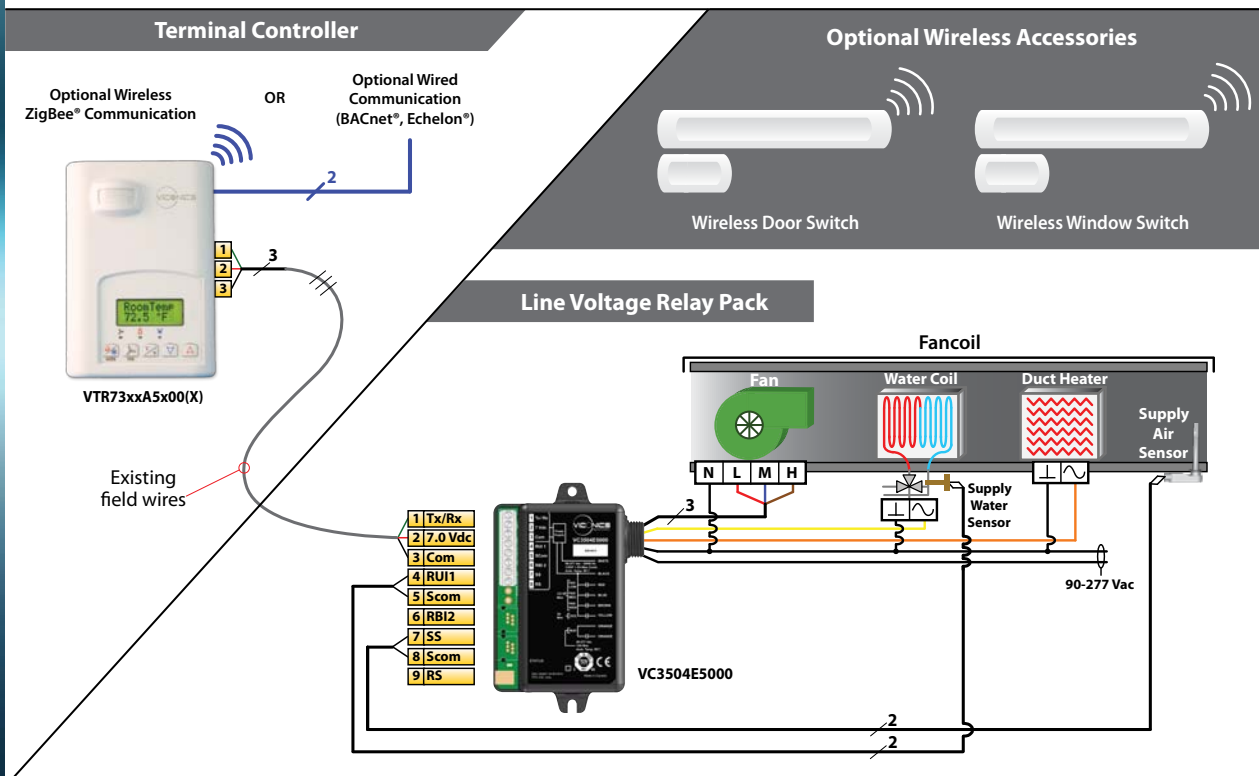
NOTE: Please visit www.viconics.com for more information of product model selection

Product Highlights:

VC3000 Series Line-voltage Switching Relay Pack includes:

- Extremely compact design
- Line powered from 90 to 277 VAC 50-60 Hz
- Wire-leads for line-voltage connections
- Direct line switching of fan speed and valves
- Directly switches single phase electric resistive heater up to 10 Amps
- Dedicated supply air sensor for monitoring (Model dependent)
- Dedicated return air sensor for control (Model dependent)
- Two extra monitoring binary inputs (Model dependent)
- Extra SSR output for low cost electric heat modulation (Model dependent)

Typical Application



028 - 8035 - E1

Viconics Electronics Inc.

9245 Langelier Blvd. | St-Leonard | Quebec | Canada | H1P 3K9 | Tel.: (514) 321-5660 | Fax: (514) 321-4150
sales@viconics.com